

A modern office interior featuring a glass door with a silver frame. Two pendant lights hang from the ceiling. A curved concrete wall is on the left, and a grey sofa is on the right. A small table with a plant is in the foreground.

ELTEC

ACCESS

Premium Elevators

Eltec is passionate about supplying Australians with the most beautiful and functional all-electric elevators. As innovators in this space for several generations, we have developed some of the very best electric lifts. Our superior, more environmental elevators are renowned for their reliability and modern design aesthetic.

Join us as we continue to redefine the elevator industry within Australia.

ELTEC
Established 1994



Latest Technology

Our industry leading elevators are made with the latest cutting-edge technology.



Safety

Our elevators meet the strictest safety standards.



Environmental

Our range includes fully electric, eco-friendly, and cost-efficient elevators.



Experience

We are a multigenerational business with a proud history of innovation.



Quick Installation

Our elevators allow for a quick and seamless installation process.



Full Service

Our Certified Partners can sell, install and maintain Eltec branded elevators.

Eltec Access

The versatile Eltec Access series adheres to BCA/NCC standards. These elevators are designed with wheelchair access in mind and are suitable for restricted use applications.



Electric Elevator / European A Grade Energy Class

Wheelchair capacity



BCA + NCC Compliant

Sliding door options

Applications

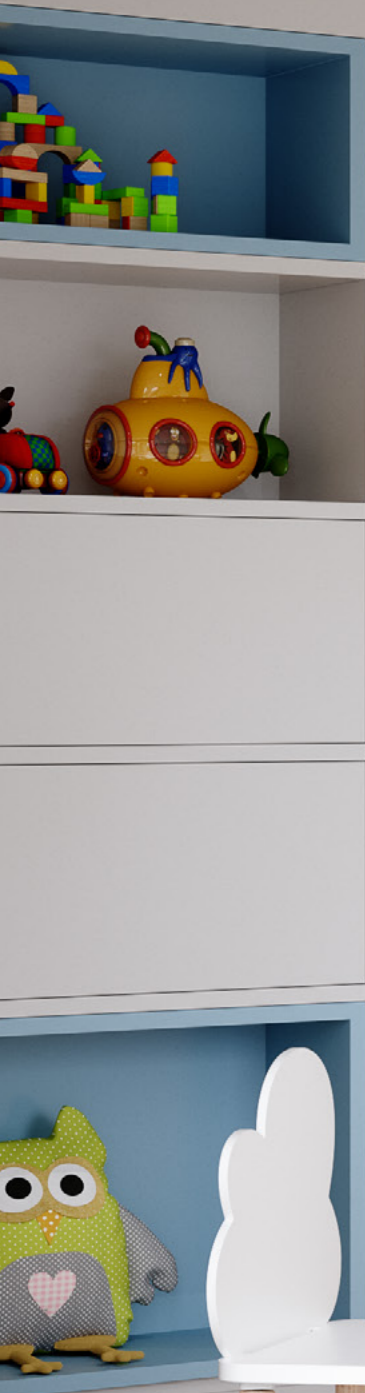
The Eltec Access series is an exceptional option for low traffic commercial spaces and offers flexible solutions for businesses, builders and architects. We recommend the Eltec Access series for use in the following applications:

- Medical Offices
- Childcare Centres
- Schools
- Commercial Offices

General Specification Information

Regulations	European
Drive System	VVVF all electric traction system
Country of Origin	Manufactured in Italy
Capacity	400 - 450KG (wheelchair capacity)
Maximum Travel*	12m
Number of Stops	6
Maximum Speed	0.3m/s
Pit Depth*	180 - 200mm / reduced size upon request
Headroom*	2520 - 2650mm / reduced size upon request
Motor Room	Motor and controller housed within shaft
Power	Single Phase / 230v 10A

Note: The Eltec Access is not a general passenger elevator.



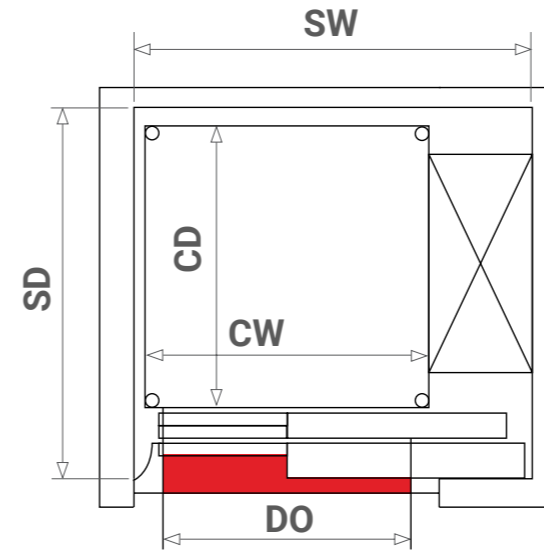
Easy Installation

The advanced Eltec Tower is a sophisticated elevator shaft that has redefined the industry. The Eltec Tower is perfectly suited for both new builds and projects which require the elevator to be retrofitted.



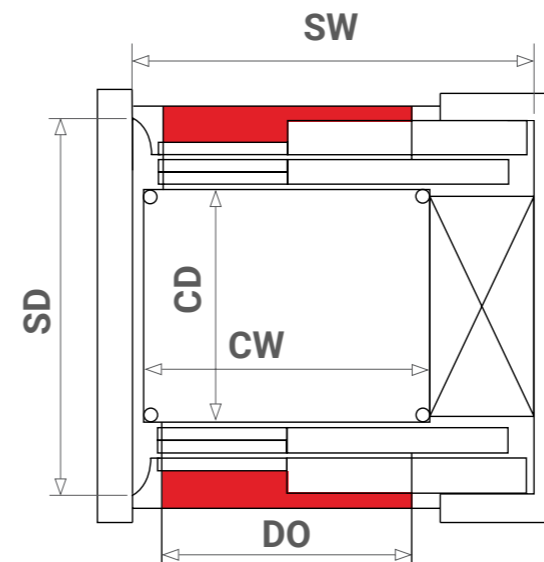
Standard Sizes

The following specification details are for the Eltec Access range with a sliding door configuration. Next Level Elevators will provide specific plans per project.



Single Entry Configuration

	SW	SD	CW	CD	DO
XL	1575	1750	1100	1400	900
XXL	1675	1800	1200	1450	900



Through Cart Configuration

	SW	SD	CW	CD	DO
XL	1575	1900	1100	1420	900
XXL	1675	1940	1200	1450	900



*Example with dispensation.

ELTEC

MADE IN ITALY

Website elteclift.com.au

Phone 1300 372 991

Email info@elteclift.com.au

